

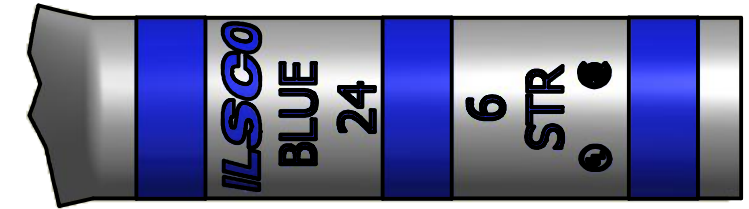
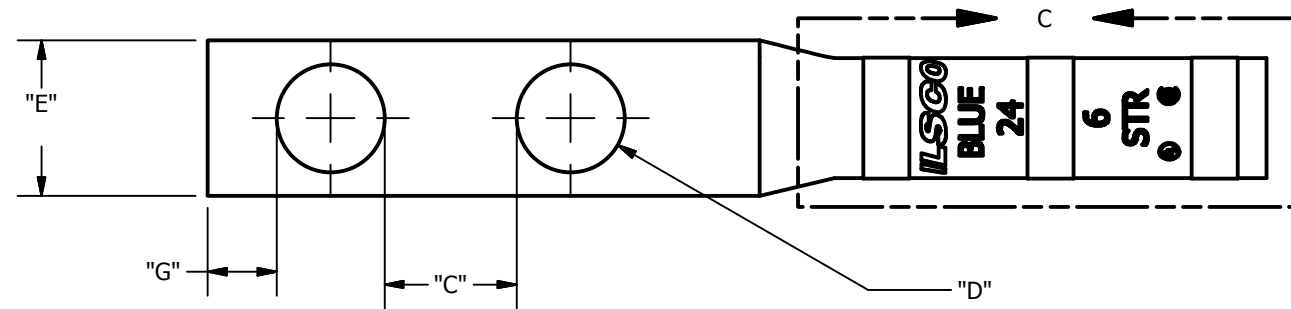
SCREW: NONE
 CAT. NO.: SEE CHART
 INFORMATION SHEET: FORM 157

MATERIAL: COPPER
 PLATING: EL-TIN
 MARKING: SEE BELOW

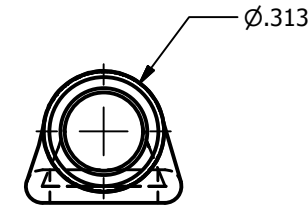
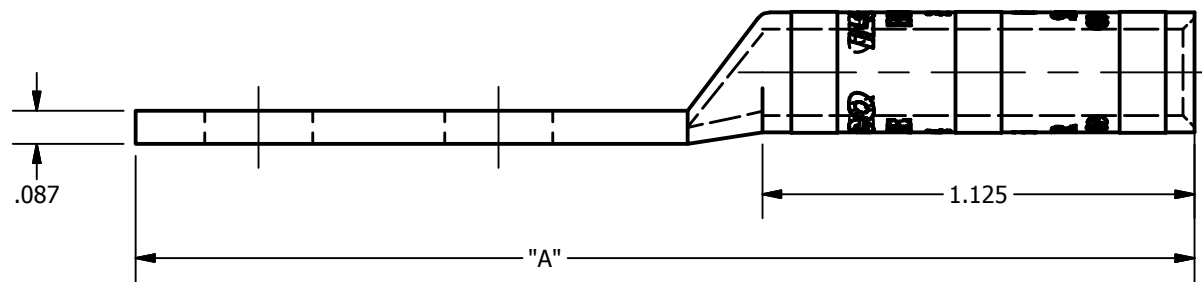
REV: Q
 DRAWN BY: DW SCALE: NTS
 DATE: 7/19/2007 SIZE: B



DWG NO: Y0203-D
 SHEET: 1 OF 1



DETAIL C
 TOP INK MARKING



CATALOG NUMBER	"A"	"C"	"D"	"E"	"G"	TANG MARKING
CLND-6-10-12	2.570	0.281	0.219	.440	0.148	ILSCO, C-6-10-12, 10 X 1/2, 6 STR, DIE 24, UL, CSA
CLND-6-10-58	2.570	0.406	0.219	.440	0.148	ILSCO, C-6-10-58, 10 X 5/8, 6 STR, DIE 24, UL, CSA
CLND-6-10-1116	2.570	0.468	0.219	.440	0.148	
CLND-6-10-34	2.757	0.531	0.219	.440	0.148	ILSCO, C-6-10-34, 10 X 3/4, 6 STR, DIE 24, UL, CSA
CLND-6-10-1	3.007	0.781	0.219	.440	0.148	
CLND-6-14-12	2.570	0.219	0.281	.440	0.180	ILSCO, 6 STR, DIE 24, UL, CSA
CLND-6-14-58	2.757	0.344	0.281	.440	0.180	ILSCO, C-6-14-58, 1/4 X 5/8, 6 STR, DIE 24, UL, CSA
CLND-6-14-34	2.757	0.469	0.281	.440	0.180	ILSCO, C-6-14-34,, 1/4 X 3/4, 6 STR, DIE 24, UL, CSA
CLND-6-14-1	3.007	0.719	0.281	.440	0.180	ILSCO, C-6-14-1, 1/4 X 1, 6 STR, DIE 24, UL, CSA
CLND-6-516-58	2.757	0.282	0.343	.530	0.180	
CLND-6-516-34	3.007	0.407	0.343	.530	0.180	ILSCO, C-6-516-34, 5/16 X 3/4, DIE 24, 6 STR, UL, CSA
CLND-6-516-78	3.007	0.532	0.343	.530	0.180	
CLND-6-516-1	3.257	0.657	0.343	.530	0.180	
CLND-6-516-134	3.820	1.407	0.343	.530	0.180	
CLND-6-38-34	3.007	0.344	0.406	.598	0.211	ILSCO, C-6-38-34, 3/8 X 3/4, 6 STR, DIE 24, UL, CSA
CLND-6-38-78	3.257	0.469	0.406	.598	0.211	ILSCO, C-6-38-78, 3/8 X 7/8, 6 STR, DIE 24, UL, CSA
CLND-6-38-1	3.257	0.594	0.406	.598	0.211	ILSCO, CLND-6-38-1, 3/8 X 1, DIE 24, 6 STR, UL, CSA
CLND-6-38-116	3.257	0.656	0.406	.598	0.211	
CLND-6-38-118	3.445	0.719	0.406	.598	0.211	
CLND-6-38-134	3.945	1.344	0.406	.598	0.211	ILSCO, CLND-6-38-134, 3/8 X 1-3/4, DIE 24, 6 STR, UL, CSA
CLND-6-38-2	4.320	1.594	0.406	.598	0.211	
CLND-6-12-1	3.445	0.438	0.562	.755	0.265	ILSCO, CLND-6-12-1, 1/2 X 1, 6 STR, DIE 24, UL, CSA
CLND-6-12-114	3.820	0.688	0.562	.755	0.265	
CLND-6-12-112	3.945	0.938	0.562	.755	0.265	
CLND-6-12-134	4.320	1.188	0.562	.755	0.265	ILSCO, CLND-6-12-134, 1/2 X 1-3/4, 6 STR, DIE 24, UL, CSA
CLND-6-12-178	4.320	1.313	0.562	.755	0.265	